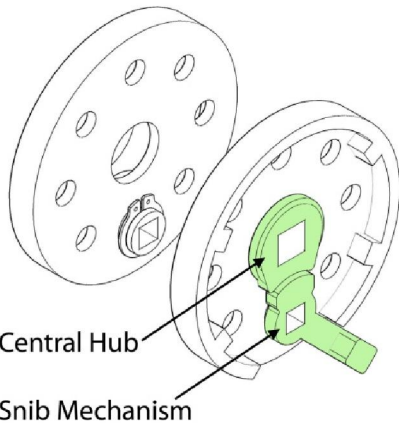


Round Privacy Adaptor Instructions



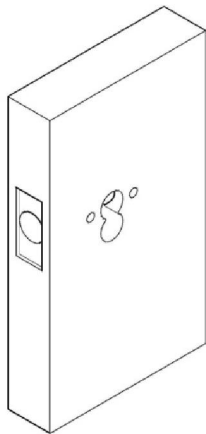
the lock and handle



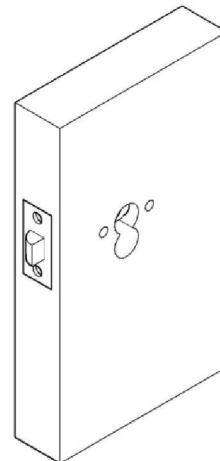
Before you Begin.

The privacy adaptor will only work if the central hub of the inside adaptor is engaged with the snib mechanism.

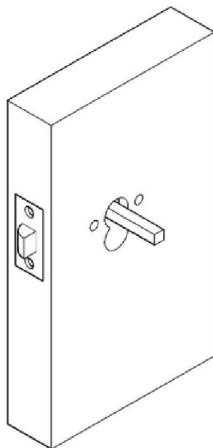
Also the snibs for both inside and outside adaptors should be facing the same way. They should either both be facing away from the latch or both be facing the latch.



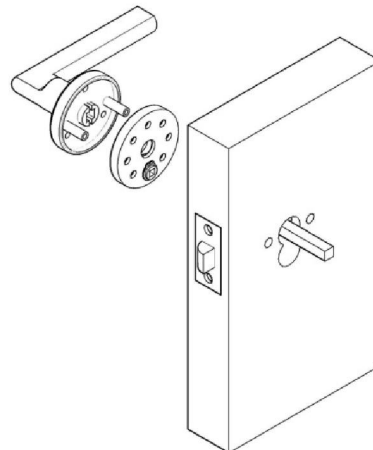
1. Cut out for latch and use template to prepare the door.



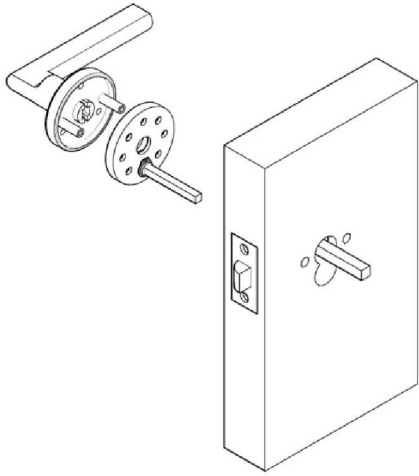
2. Install latch according to manufacturers instructions



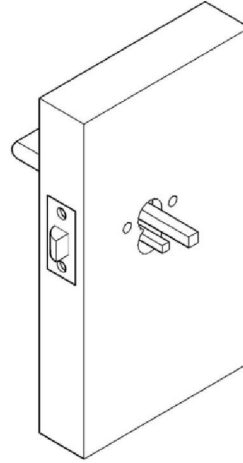
3. Install large spindle supplied with the privacy adaptor into latch



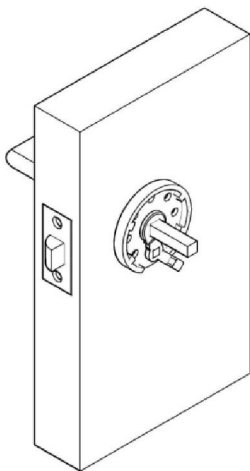
4. Install posts into handle and place outside privacy adaptor through the posts



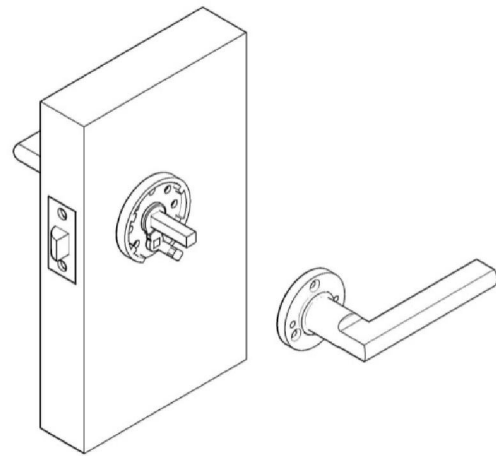
5. Install *small spindle into the hub at the bottom of the outside adaptor



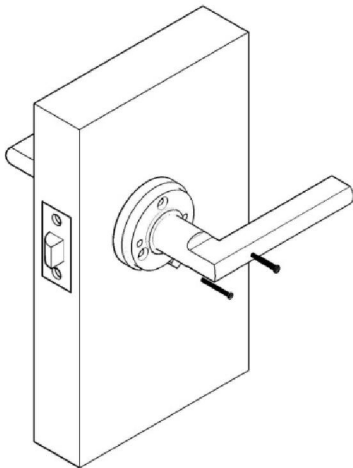
6. Place handle, outside adaptor and small spindle onto the door and spindle.



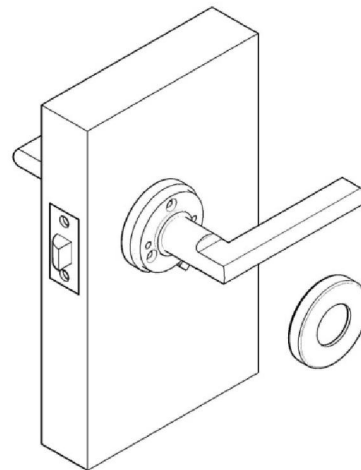
7. Place inside privacy adaptor in a locked position and slip over the spindle.



8. Place handle over the adaptor and spindle.



9. Use bolts to fix the handles and adaptors together.



10. Test in a locking and unlocking positions. If all is good, fix wood screws (3 each side) in order to ensure that the handles will not move in future.

*For doors that are less than the standard width, the lock may 'bind' when screws are tightened, then the small spindle may need to be filed down or cut with a hack saw to reduce the length.