

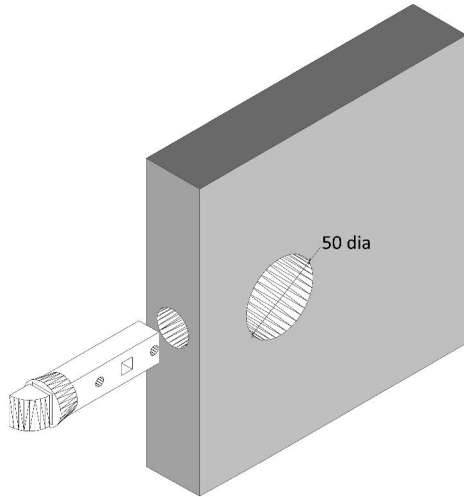


The Lock & Handle

www.thelockandhandle.com.au

Tighten bolts and screws by hand.

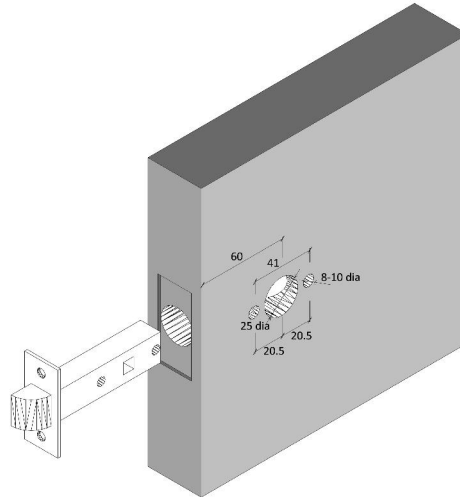
Door Preparation



Option 1:

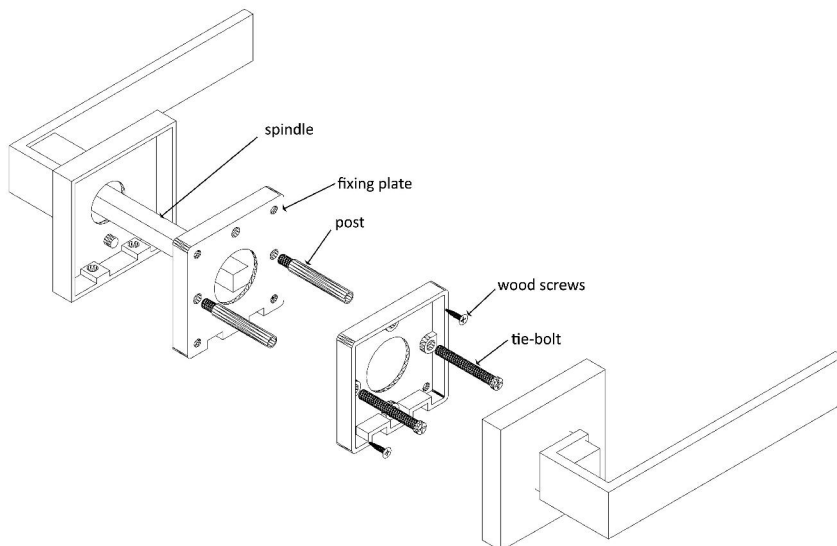
Note: Preferred option if you are using Privacy Adaptors

Pre-latched doors often come with a drive in latch and a 50mm diameter hole. Door handles are suitable for this.
For non pre-latched doors drill a 50mm diameter hole cut out to the backset of the latch (usually 60mm)



Option 2

Drill out and checkout as required to fit your latch (see latch for instructions)
Drill out a 25mm diameter hole set back 60mm from door edge.
Drill out 2 x 8-10mm diameter holes horizontally either side of the first hole as shown.



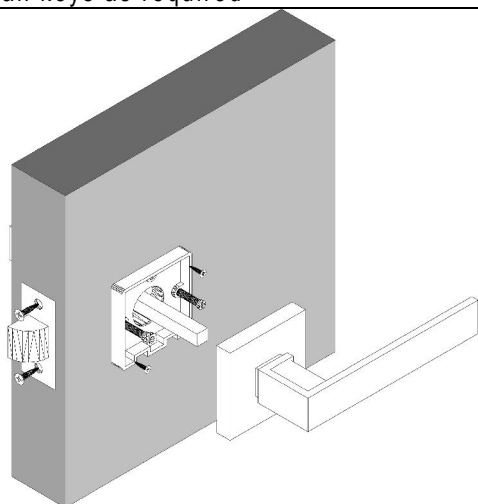
With each set of handles you should have:

- 2 – handles
- 2 – fixing plates
- 1 – spindle
- 2 – posts
- 2 – tie-bolts
- 4/8 – wood screws

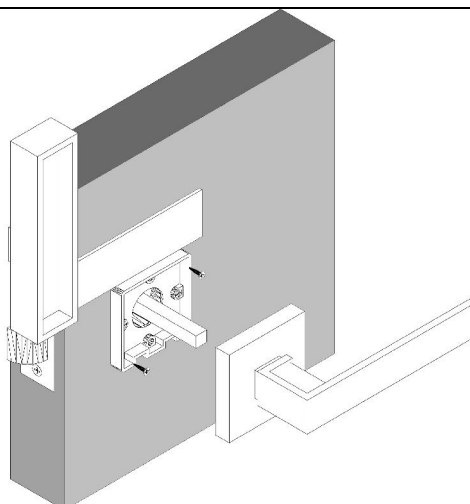
To prepare to fit off handles:

1. separate all components
2. screw in posts to one of the fixing plates as shown (as an alternative, they can be screwed to top and bottom holes)

alan keys as required



1. Install latch and fix screws
2. Place fixing plates with posts onto other side of the door with the posts fitting in the holes of the latch



3. Place plate as shown and screw in the 2 tie-bolts into the posts.
4. Loosen tie-bolts half a turn and use a square to ensure the plates on both sides are square with the door.
5. Tighten tie-bolts then screw in a minimum of 2 wood screws per side to ensure fixing plates do not twist. If using 2 screws per side make sure they are in opposite diagonal corners from each other.
6. Place spindle in one of the handles and press handle with spindle onto fixing plate. This may take a small amount of force.
7. Do the same for the other handle
8. Tighten grub screws using the allen keys supplied.
9. For best results use Medium strength Loctite on Grub Screws.
10. The grub screw on the lever should not be tightened too much as this might make the handle feel sticky.

