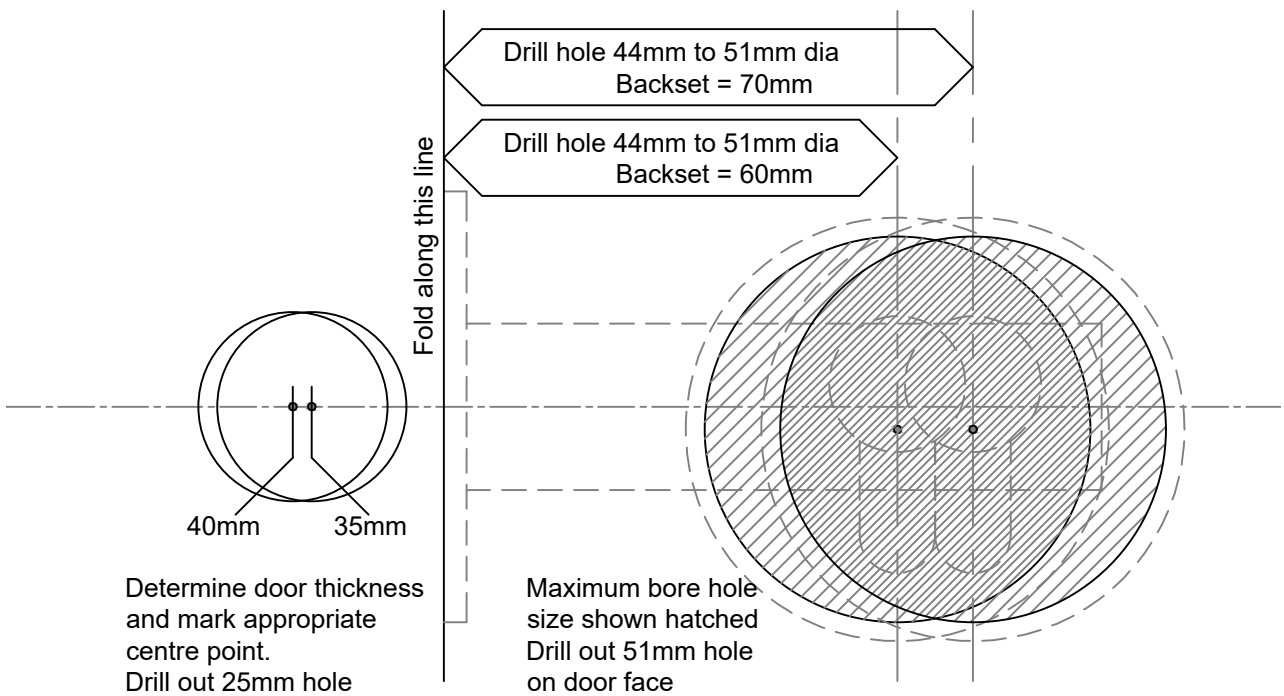


Print to 100% size - check dimensions before using template

insert door bolt upside-down



Print to 100% size - check dimensions before using template

insert door bolt upside-down