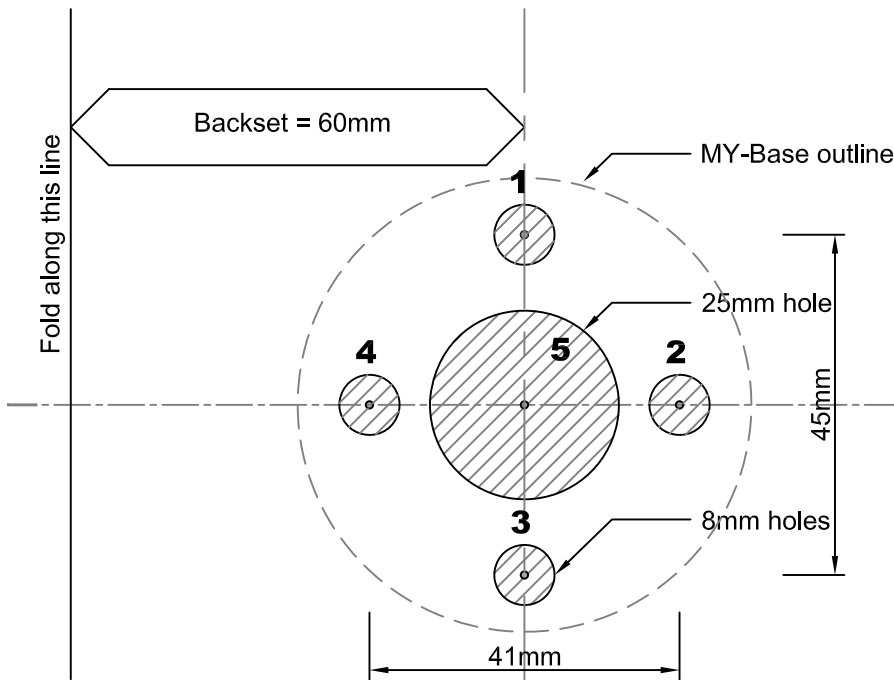


Print to 100% size - check dimensions before using template

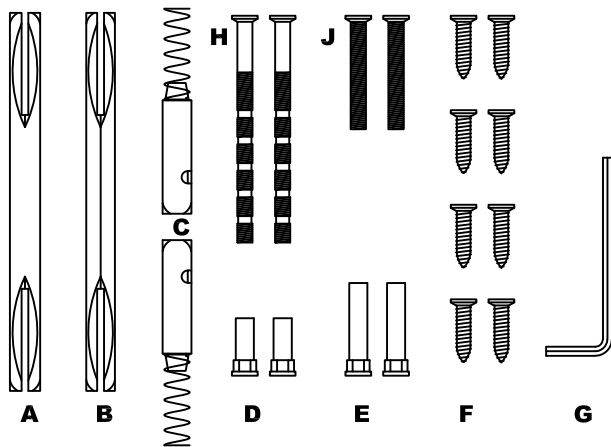


Preferred installation on new doors with no cutouts

- Passage - drill holes 1, 3 & 5
- Privacy - drill holes 1, 3, 4 & 5
- Mortice Locks - drill holes 2, 4 & 5

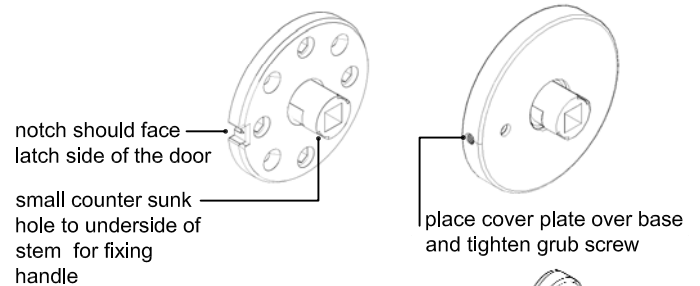
Existing doors (retrofitting)

- Existing Passage latch - drill holes 2, 4 & 5
- MY-Handle system will work on existing doors with bore holes up to 54mm in diameter. No drilling required for bore holes 50mm or 54mm

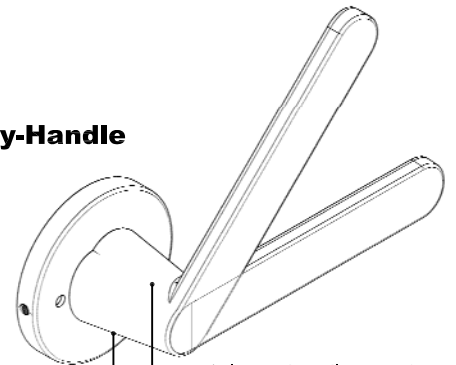


MY-Base

My-Cover



My-Handle



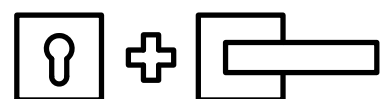
1. insert handle on a 45 degree angle then push towards door then turn 45 degrees to final position (bayonet fixing)
2. tighten grub screw below handle

Accessories pack with MY-Base

- A: 8mm spindle - for use with My-Latch and MY-Mag latch
- B: 7.6mm spindle - for use with most existing Australian latches
- C: Half spindles - for use with privacy function. Privacy button supplied with latch
- D: Short M4 female receiver - for use with commercial locks
- E: Long M4 female receiver - for most uses - can be used with H or J
- F: Wood screws - use diagonal holes on MY-Base to secure from twisting or coming loose over time
- G: Allen key - for tightening MY-Cover plates and MY-Handle
- H: Long cut off M4 bolt - for doors up to 70mm thick and commercial mortice locks
- J: 30mm M4 bolts - for standard internal doors (35mm thick) - use with (E)

MY Handle | My Cover | My Base

Patent Pending



The Lock & Handle